



Dynamic Ballast Corp.
 41 Smith Street
 Englewood, NJ 07631
 www.DYnamicballast.com

ELECTRONIC BALLAST

DATA SHEET

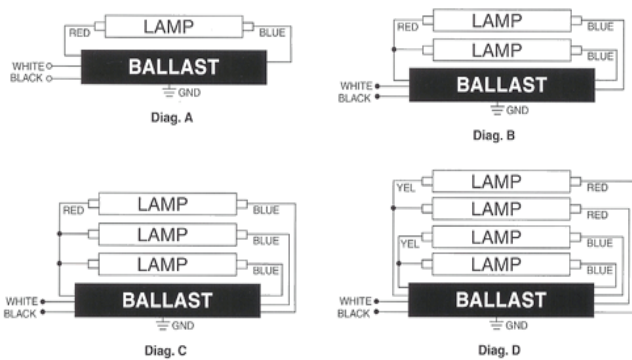
DY 432 IS WV

Starting Method: Instant Start
 Connection: Parallel
 Input Voltage: 120-277
 Input Frequency: 50/60 Hz
 Model #: DY432ISWV

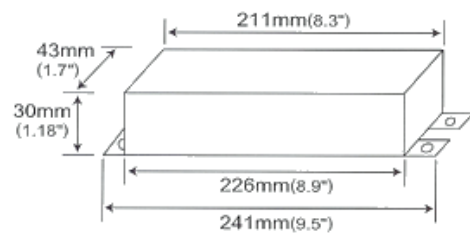
277V Operational Data

Lamp Type	Number of Lamps	Rated Lamp Watts	Min. Start Temp. (°C)	Input Current (Amps)	Input Power (Watts)	Ballast Factor	Max THD %	Min. Power Factor	Max. LCCF	B.E.F
F17T8	3	17	0/-18	0.18	49	1.00	10	98%	1.7	2.04
F17T8	4	17	0/-18	0.22	60	0.96	10	98%	1.7	1.60
F25T8	3	25	0/-18	0.25	67	0.92	10	98%	1.7	1.37
F25T8	4	25	0/-18	0.30	81	0.88	10	98%	1.7	1.09
F32T8	3	32	0/-18	0.32	87	0.90	10	98%	1.7	1.03
F32T8	4	32	0/-18	0.41	112	0.88	10	98%	1.7	0.79
F40T8	3	40	0/-18	0.39	109	0.87	10	98%	1.7	0.80
FB16T8	3	16	0/-18	0.16	45	0.96	10	98%	1.7	2.13
FB16T8	4	16	0/-18	0.20	54	0.88	10	98%	1.7	1.63
FB24T8	3	24	0/-18	0.23	63	0.90	10	98%	1.7	1.43
FB24T8	4	24	0/-18	0.28	78	0.88	10	98%	1.7	1.13
FB31T8	3	31	0/-18	0.32	87	0.90	10	98%	1.7	1.03
FB31T8	4	31	0/-18	0.38	105	0.87	10	98%	1.7	0.83
FT40T5	3	40	0/-18	0.35	96	0.87	10	98%	1.7	0.91

Wiring Diagram: Diagram D&C



Enclosure



Lead Lengths (in.)

Black	2.5"		
White	2.5"		
Blue	3.1"		
Red	3.1"		
Yellow	3.9"		
Blue/White			