



Dynamic Ballast Corp.
 41 Smith Street
 Englewood, NJ 07631
 www.DYnamicballast.com

ELECTRONIC BALLAST

DATA SHEET

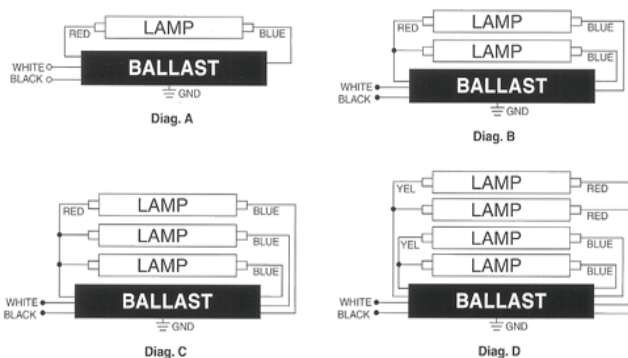
DY 432 IS WV

Starting Method: Instant Start
 Connection: Parallel
 Input Voltage: 120-277
 Input Frequency: 50/60 Hz
 Model #: DY432ISWV

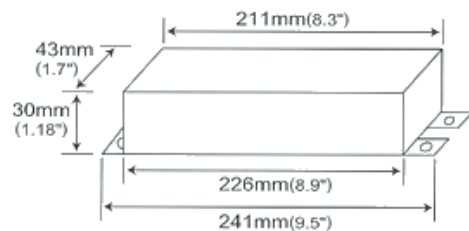
120V Operational Data

| Lamp Type | Number of Lamps | Rated Lamp Watts | Min. Start Temp. (°C) | Input Current (Amps) | Input Power (Watts) | Ballast Factor | Max THD % | Min. Power Factor | Max. LCCF | B.E.F |
|-----------|-----------------|------------------|------------------------|----------------------|---------------------|----------------|-----------|-------------------|-----------|-------|
| F17T8 | 3 | 17 | 0/-18 | 0.41 | 49 | 1.00 | 10 | 98% | 1.7 | 2.04 |
| F17T8 | 4 | 17 | 0/-18 | 0.50 | 60 | 0.96 | 10 | 98% | 1.7 | 1.60 |
| F25T8 | 3 | 25 | 0/-18 | 0.56 | 67 | 0.92 | 10 | 98% | 1.7 | 1.37 |
| F25T8 | 4 | 25 | 0/-18 | 0.68 | 81 | 0.88 | 10 | 98% | 1.7 | 1.09 |
| F32T8 | 3 | 32 | 0/-18 | 0.73 | 87 | 0.90 | 10 | 98% | 1.7 | 1.03 |
| F32T8 | 4 | 32 | 0/-18 | 0.94 | 112 | 0.88 | 10 | 98% | 1.7 | 0.79 |
| F40T8 | 3 | 40 | 0/-18 | 0.91 | 109 | 0.87 | 10 | 98% | 1.7 | 0.80 |
| FB16T8 | 3 | 16 | 0/-18 | 0.38 | 45 | 0.96 | 10 | 98% | 1.7 | 2.13 |
| FB16T8 | 4 | 16 | 0/-18 | 0.45 | 54 | 0.88 | 10 | 98% | 1.7 | 1.63 |
| FB24T8 | 3 | 24 | 0/-18 | 0.53 | 63 | 0.90 | 10 | 98% | 1.7 | 1.43 |
| FB24T8 | 4 | 24 | 0/-18 | 0.65 | 78 | 0.88 | 10 | 98% | 1.7 | 1.13 |
| FB31T8 | 3 | 31 | 0/-18 | 0.73 | 87 | 0.90 | 10 | 98% | 1.7 | 1.03 |
| FB31T8 | 4 | 31 | 0/-18 | 0.88 | 105 | 0.87 | 10 | 98% | 1.7 | 0.83 |
| FT40T5 | 3 | 40 | 0/-18 | 0.81 | 96 | 0.87 | 10 | 98% | 1.7 | 0.91 |

Wiring Diagram: Diagram D&C



Enclosure



Lead Lengths (in.)

| | | | |
|------------|------|--|--|
| Black | 2.5" | | |
| White | 2.5" | | |
| Blue | 3.1" | | |
| Red | 3.1" | | |
| Yellow | 3.9" | | |
| Blue/White | | | |