



Dynamic Ballast Corp.
 41 Smith Street
 Englewood, NJ 07631
 www.DYnamicballast.com

ELECTRONIC BALLAST

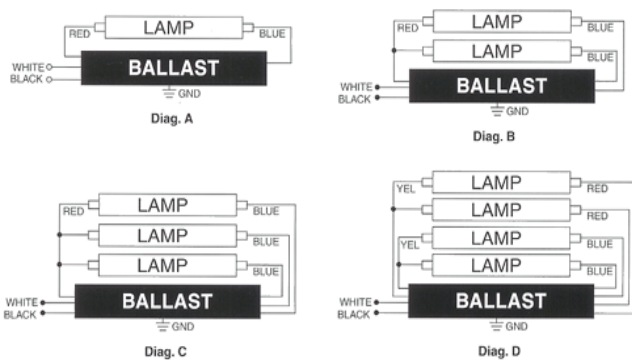
DATA SHEET

DY 332 IS 277

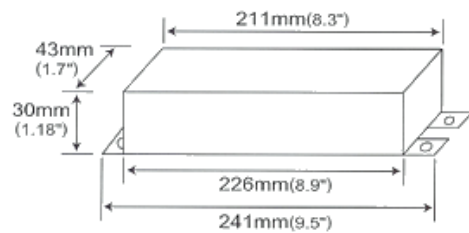
Starting Method: Instant Start
 Connection: Parallel
 Input Voltage: 277
 Input Frequency: 50/60 Hz
 Model #: DY332IS277

Lamp Type	Number of Lamps	Rated Lamp Watts	Min. Start Temp. (°C)	Input Current (Amps)	Input Power (Watts)	Ballast Factor	Max THD %	Min. Power Factor	Max. LCCF	B.E.F
F17T8	2	17	0/-18	0.15	41	0.92	15	97%	1.7	2.24
F17T8	3	17	0/-18	0.18	48	1.00	15	97%	1.7	2.08
F25T8	2	25	0/-18	0.18	50	1.04	10	98%	1.7	2.08
F25T8	3	25	0/-18	0.25	68	0.94	10	98%	1.7	1.38
F32T8	2	32	0/-18	0.23	63	1.01	10	98%	1.7	1.60
F32T8	3	32	0/-18	0.31	86	0.88	10	98%	1.7	1.02
F40T8	2	40	0/-18	0.29	79	1.01	10	98%	1.7	1.28
FB16T8	2	16	0/-18	0.12	34	0.87	15	96%	1.7	2.56
FB16T8	3	16	0/-18	0.17	45	0.97	15	96%	1.7	2.16
FB24T8	2	24	0/-18	0.16	47	0.96	10	98%	1.7	2.04
FB24T8	3	24	0/-18	0.23	64	0.90	10	98%	1.7	1.41
FB31T8	2	31	0/-18	0.23	63	1.00	10	98%	1.7	1.59
FB31T8	3	31	0/-18	0.31	85	0.88	10	98%	1.7	1.04
FT40T5	2	40	0/-18	0.29	78	1.00	10	98%	1.7	1.28

Wiring Diagram: Diagram C&B



Enclosure



Lead Lengths (in.)

Black	25"		
White	25"		
Blue	31"		
Red	37"		
Yellow			
Blue/White			