



**Dynamic Ballast Corp.**  
 41 Smith Street  
 Englewood, NJ 07631  
 www.DYnamicballast.com

# ELECTRONIC BALLAST

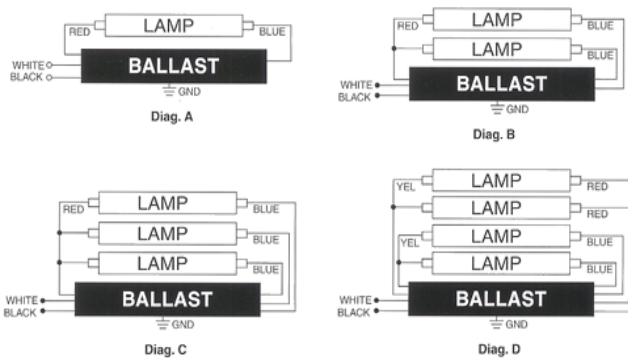
## DATA SHEET

### DY 332 IS 120

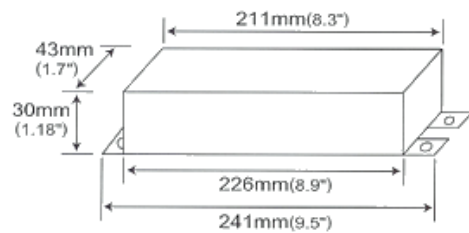
Starting Method: Instant Start  
 Connection: Parallel  
 Input Voltage: 120  
 Input Frequency: 50/60 Hz  
 Model #: DY332IS120

Lamp Type	Number of Lamps	Rated Lamp Watts	Min. Start Temp. ( °C)	Input Current (Amps)	Input Power (Watts)	Ballast Factor	Max THD %	Min. Power Factor	Max. LCCF	B.E.F
F17T8	2	17	0/-18	0.34	41	0.92	10	98%	1.7	2.24
F17T8	3	17	0/-18	0.42	48	1.00	10	98%	1.7	2.08
F25T8	2	25	0/-18	0.42	50	1.04	10	98%	1.7	2.08
F25T8	3	25	0/-18	0.57	68	0.94	10	98%	1.7	1.38
F32T8	2	32	0/-18	0.53	63	1.01	10	98%	1.7	1.60
F32T8	3	32	0/-18	0.72	86	0.88	10	98%	1.7	1.02
F40T8	2	40	0/-18	0.66	79	1.01	10	98%	1.7	1.28
FB16T8	2	16	0/-18	0.28	34	0.87	10	98%	1.7	2.56
FB16T8	3	16	0/-18	0.38	45	0.97	10	98%	1.7	2.16
FB24T8	2	24	0/-18	0.40	47	0.96	10	98%	1.7	2.04
FB24T8	3	24	0/-18	0.54	64	0.90	10	98%	1.7	1.41
FB31T8	2	31	0/-18	0.52	63	1.00	10	98%	1.7	1.59
FB31T8	3	31	0/-18	0.71	85	0.88	10	98%	1.7	1.04
FT40T5	2	40	0/-18	0.65	78	1.00	10	98%	1.7	1.28

### Wiring Diagram: Diagram C&B



### Enclosure



### Lead Lengths (in.)

Black	25"		
White	25"		
Blue	31"		
Red	37"		
Yellow			
Blue/White			