



Dynamic Ballast Corp.
 41 Smith Street
 Englewood, NJ 07631
 www.DYnamicballast.com

ELECTRONIC BALLAST

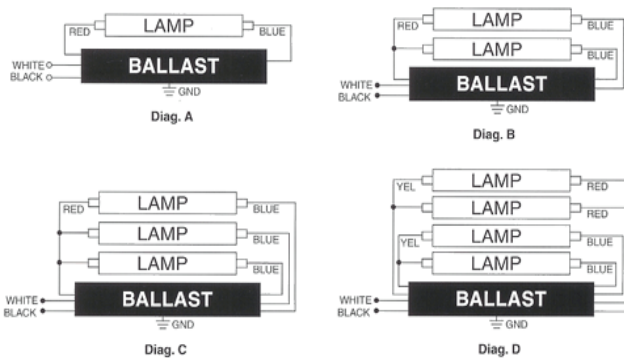
DATA SHEET

DY 132 IS 277

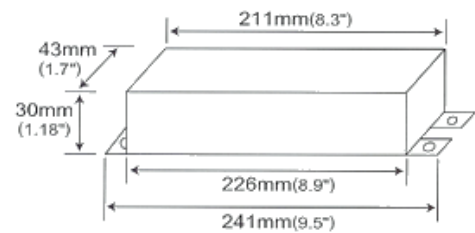
Starting Method: Instant Start
 Connection: Parallel
 Input Voltage: 277
 Input Frequency: 50/60 Hz
 Model #: DY132IS277

Lamp Type	Number of Lamps	Rated Lamp Watts	Min. Start Temp. (°C)	Input Current (Amps)	Input Power (Watts)	Ballast Factor	Max THD %	Min. Power Factor	Max. LCCF	B.E.F
F17T8	1	17	0/-18	0.07	18	0.89	15	97%	1.7	4.94
F25T8	1	25	0/-18	0.10	25	0.88	10	98%	1.7	3.52
F32T8	1	32	0/-18	0.11	30	0.88	10	98%	1.7	2.93
F40T8	1	40	0/-18	0.14	38	0.86	10	98%	1.7	2.26
FB16T8	1	16	0/-18	0.06	17	0.89	15	97%	1.7	5.24
FB24T8	1	24	0/-18	0.09	24	0.88	10	98%	1.7	3.67
FB31T8	1	31	0/-18	0.12	31	0.88	10	98%	1.7	2.84
FT40T5	1	40	0/-18	0.12	35	0.87	10	98%	1.7	2.49

Wiring Diagram: Diagram A



Enclosure



Lead Lengths (in.)

Black	25"		
White	25"		
Blue	31"		
Red	37"		
Yellow			
Blue/White			